

242C•243A



T-52-09

DM74ALS242C/DM74ALS243A Quad TRI-STATE® Bidirectional Bus Driver

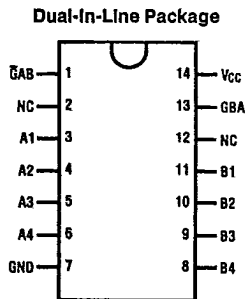
General Description

These octal TRI-STATE® bus drivers are designed to provide the designer with flexibility in implementing a bus interface with memory, microprocessor, or communication systems. The ALS242C has inverting buffers, while the ALS243A has non-inverting buffers. The direction enable gating is configured with separate control over either buffer direction and the two control buffers are complementary. Connecting these control inputs to one common line implements single line direction control, while individual control can put both buffer directions into TRI-STATE simultaneously (disabled state) or put both buffer directions into the active state (data latch state). The TRI-STATE circuitry contains a feature that maintains the buffer outputs in TRI-STATE (high impedance state) during power supply ramp-up or ramp-down. This eliminates bus glitching problems that arise during power-up and power-down.

Features

- Advanced low power oxide-isolated ion-implanted Schottky TTL process
- Functional and pin compatible with the 74LS counterpart
- Improved switching performance with less power dissipation compared with the 74LS counterpart
- Switching response specified into 500Ω and 50 pF load
- Switching response specifications guaranteed over full temperature and V_{CC} supply range
- PNP input design reduces input loading
- Low level drive current: 74ALS = 24 mA

Connection Diagram



TL/F/6211-1

Top View

Order Number DM74ALS242CM, DM74ALS242CN, DM74ALS243AM or DM74ALS243AN
See NS Package Number M14A or N14A

Function Table

Inputs		'ALS242C	'ALS243A
\overline{GAB}	GBA		
L	L	\overline{A} to B	A to B
H	H	\overline{B} to A	B to A
H	L	Isolation	Isolation
L	H	Latch A and B (A = \overline{B})	Latch A and B (A = B)

242C•243A

T-52-09

Absolute Maximum Ratings

Supply Voltage, V _{CC}	7V
Input Voltage	
Dedicated Inputs	7V
I/O Ports	5.5V
Operating Free Air Temperature Range	
DM74ALS	0 to +70°C
Storage Temperature Range	-65°C to +150°C
Typical θ_{JA}	
N Package	78.0°C/W
M Package	111.5°C/W

Note: The "Absolute Maximum Ratings" are those values beyond which the safety of the device cannot be guaranteed. The device should not be operated at these limits. The parametric values defined in the "Electrical Characteristics" table are not guaranteed at the absolute maximum ratings. The "Recommended Operating Conditions" table will define the conditions for actual device operation.

Recommended Operating Conditions

Symbol	Parameter	DM74ALS242C, 243A			Units
		Min	Typ	Max	
V _{CC}	Supply Voltage	4.5	5	5.5	V
V _{IH}	High Level Input Voltage	2			V
V _{IL}	Low Level Input Voltage			0.8	V
I _{OH}	High Level Output Current			-15	mA
I _{OL}	Low Level Output Current			24	mA
T _A	Operating Free-Air Temperature	0		70	°C

Electrical Characteristics over recommended operating free-air temperature (unless otherwise specified)

Symbol	Parameter	Conditions	DM74ALS242C, 243A			Units	
			Min	Typ	Max		
V _{IK}	Input Clamp Voltage	V _{CC} = 4.5V, I _I = -18 mA			-1.2	V	
V _{OH}	High Level Output	V _{CC} = 4.5V to 5.5V V _{CC} = 4.5V	I _{OH} = -0.4 mA	V _{CC} - 2		V	
			I _{OH} = -3 mA	2.4		V	
			I _{OH} = Max	2		V	
V _{OL}	Low Level Output Voltage	V _{CC} = 4.5V I _{OL} = 54ALS (Max)		0.25	0.4	V	
		I _{OL} = 74ALS (Max)		0.35	0.5	V	
I _I	Input Current at Max Input Voltage	V _{CC} = 5.5V, V _I = 7V (5.5V for I/O Ports)			0.1	mA	
I _{IH}	High Level Input Current	V _{CC} = 5.5V, V _I = 2.7V (Note 1)			20	μA	
I _{IL}	Low Level Input Current	V _{CC} = 5.5V, V _{IL} = 0.4V (Note 1)			-0.1	mA	
I _O	Output Drive Current	V _{CC} = 5.5V, V _O = 2.25V	-30		-112	mA	
I _{CC}	Supply Current	V _{CC} = 5.5V, ALS242C Active Outputs High		10	16	mA	
			Active Outputs Low		14	21	mA
			Outputs TRI-STATE		12	19	mA
		V _{CC} = 5.5V, ALS243A Active Outputs High		15	25	mA	
			Active Outputs Low		20	30	mA
			Outputs TRI-STATE		21	32	mA

Note 1: For the I/O ports, the parameters I_{IH} and I_{IL} include the TRI-STATE output currents (I_{OZH} and I_{OZL}).



242C*243A

'ALS242C Switching Characteristics over recommended operating free-air temperature range (Note 1)

Symbol	Parameter	Conditions	From (Input)	To (Output)	74ALS242C		Units
					Min	Max	
t _{PLH}	Propagation Delay Time Low to High Level Output	V _{CC} = 4.5V to 5.5V, C _L = 50 pF, R1 = 500Ω, R2 = 500Ω, T _A = Min to Max	A or B	B or A	2	11	ns
t _{PHL}	Propagation Delay Time High to Low Level Output				2	10	ns
t _{pZH}	Output Enable Time to High Level Output		GAB	B	4	18	ns
t _{pZL}	Output Enable Time to Low Level Output				7	21	ns
t _{PHZ}	Output Disable Time to High Level Output		GAB	B	2	14	ns
t _{PLZ}	Output Disable Time to Low Level Output				2	15	ns
t _{pZH}	Output Enable Time to High Level Output		GBA	A	4	18	ns
t _{pZL}	Output Enable Time to Low Level Output				7	21	ns
t _{PHZ}	Output Disable Time from High Level Output		GBA	A	2	14	ns
t _{PLZ}	Output Disable Time from Low Level Output				2	15	ns

T-52-09

'ALS243A Switching Characteristics over recommended operating free-air temperature range (Note 1)

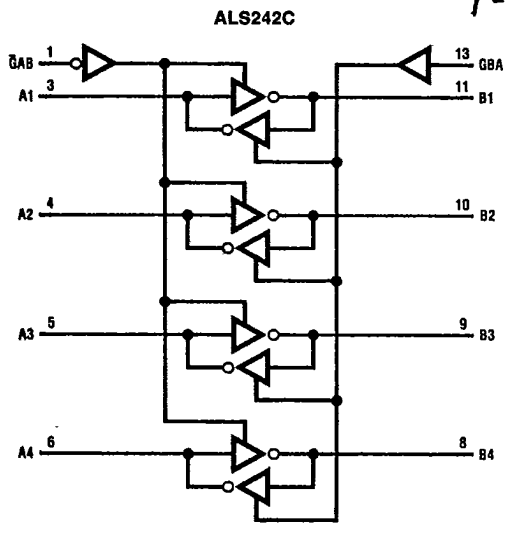
Symbol	Parameter	Conditions	From (Input)	To (Output)	74ALS243A		Units
					Min	Max	
t _{PLH}	Propagation Delay Time Low to High Level Output	V _{CC} = 4.5V to 5.5V, C _L = 50 pF, R1 = 500Ω, R2 = 500Ω, T _A = Min to Max	A or B	B or A	4	11	ns
t _{PHL}	Propagation Delay Time High to Low Level Output				4	11	ns
t _{pZH}	Output Enable Time to High Level Output		GAB	B	7	20	ns
t _{pZL}	Output Enable Time to Low Level Output				7	20	ns
t _{PHZ}	Output Disable Time to High Level Output		GAB	B	2	14	ns
t _{PLZ}	Output Disable Time to Low Level Output				3	22	ns
t _{pZH}	Output Enable Time to High Level Output		GBA	A	7	20	ns
t _{pZL}	Output Enable Time to Low Level Output				7	20	ns
t _{PHZ}	Output Disable Time from High Level Output		GBA	A	2	14	ns
t _{PLZ}	Output Disable Time from Low Level Output				3	22	ns

Note 1: See Section 1 for test waveforms and output loads.

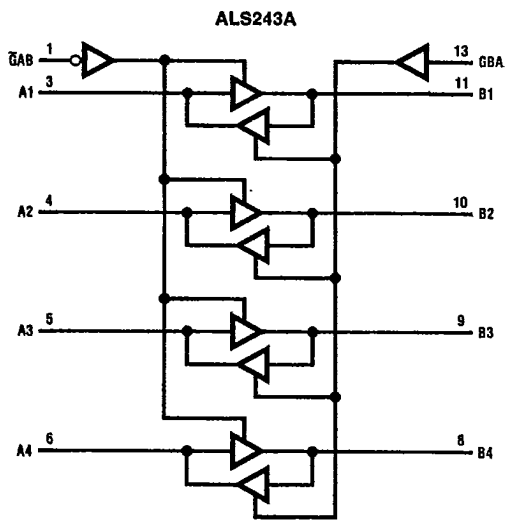
Logic Diagrams

T-52-09

242C•243A



TL/F/6211-2



TL/F/6211-3

